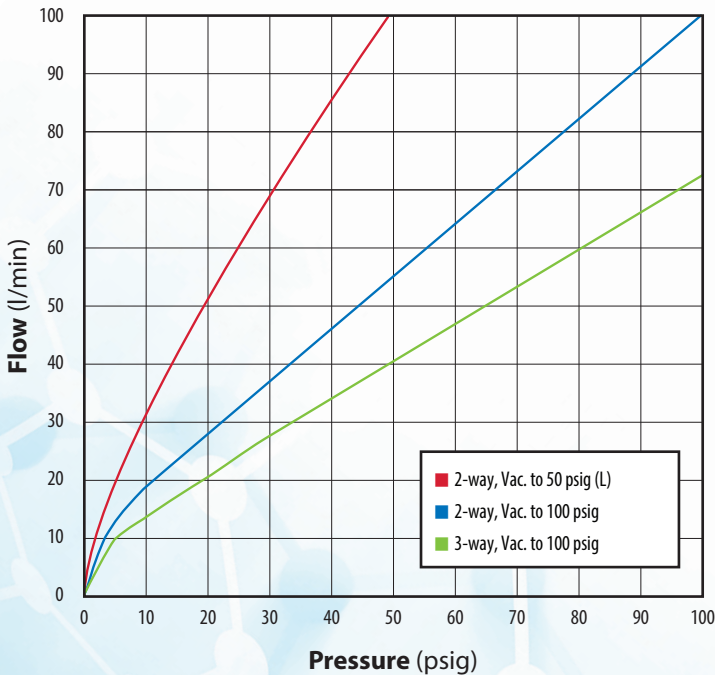


## DV SERIES ELECTRONIC VALVES



Clippard electronic valves are precision-built control valves utilizing Clippard's patented valving principle. The powerful DV Series was designed as the next generation of the well-known and trusted original EV line of Clippard spider valves. With a cycle life of over a billion, a solid, compact design, and extremely high flow rates, these valves are suitable for many applications across numerous diverse industries. A variety of voltage, connector and mounting options are available.

**TYPICAL FLOW**



|                                 |  |
|---------------------------------|--|
| <b>Coil Resistance</b>          | 76 (12V), 304 (24V)  |
| <b>Connection</b>               | Spade terminals or wire leads  |
| <b>Cycle Life</b>               | Over 1 billion   |
| <b>Filtration (recommended)</b> | 40 micron  |
| <b>Function</b>                 | 2-way or 3-way normally-closed or normally-open; 3-way universally ported    |
| <b>Material, Body</b>           | Stainless steel  |
| <b>Material, Seals</b>          | Nitrile standard; FKM, EPDM and silicone available                           |
| <b>Material, Spring</b>         | Stainless steel  |
| <b>Material, Wetted</b>         | Polyetherimide, stainless steel, PPS   |
| <b>Max. Flow</b>                | 100 l/min @ 50 or 100 psig (3.4 or 7 bar),<br>70 l/min @ 100 psig (7 bar)    |
| <b>Max. psig</b>                | 100 (6.9 bar)  |
| <b>Medium</b>                   | Compatible fluids and gases  |
| <b>Mount</b>                    | In-line, manifold, or cartridge ( <i>inserts into 3/4" bore</i> )            |
| <b>Number of Ports</b>          | 2 or 3   |
| <b>Operating Pressure</b>       | 28" (71 cm) Hg vac. to 50 or 100 psig (3.4 or 7 bar)                         |
| <b>Operating Temp. Range</b>    | 32 to 130°F (0 to 54°C)  |
| <b>Orifice</b>                  | 0.044", 0.052", 0.070" (1.1, 1.3, 1.8 mm)                                    |
| <b>Port, Exhaust</b>            | 3-Way: #10-32 or M5  |
| <b>Port, Inlet</b>              | <b>Manifold:</b> #10-32 male or M5<br><b>Inline:</b> 1/8" NPT or BSPT female |
| <b>Port, Outlet</b>             | <b>Manifold:</b> No thread<br><b>Inline:</b> 1/8" NPT or BSPT female         |
| <b>Response Time</b>            | 10 to 15 ms  |
| <b>Voltage</b>                  | 12 or 24 VDC   |
| <b>Voltage Operating Range</b>  | 95 to 125%   |
| <b>Wattage</b>                  | 1.9 watts  |
| <b>More Details</b>             | <a href="http://clippard.com/link/dv-series">clippard.com/link/dv-series</a> |

<sup>1</sup>Minimum order quantity required

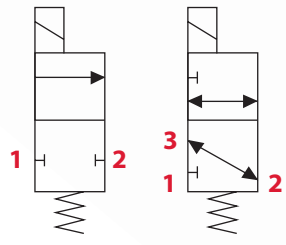
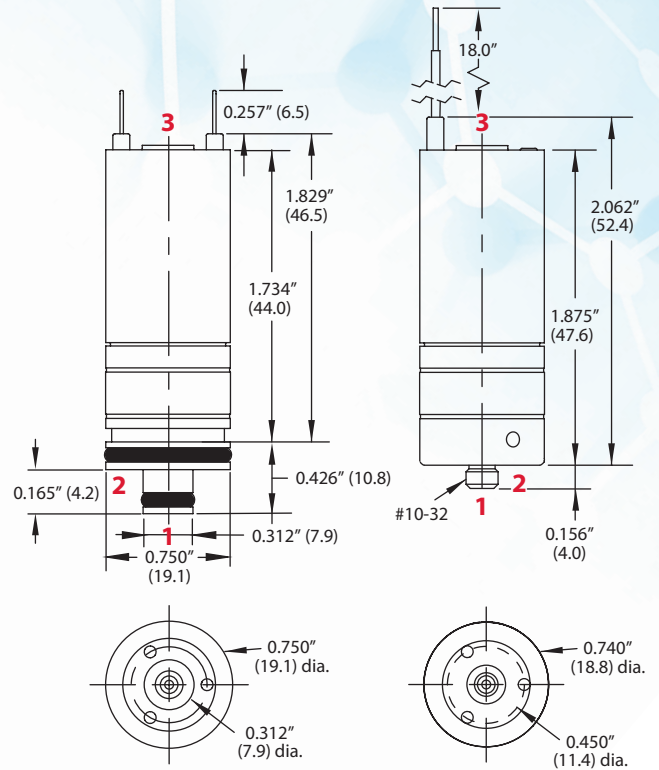
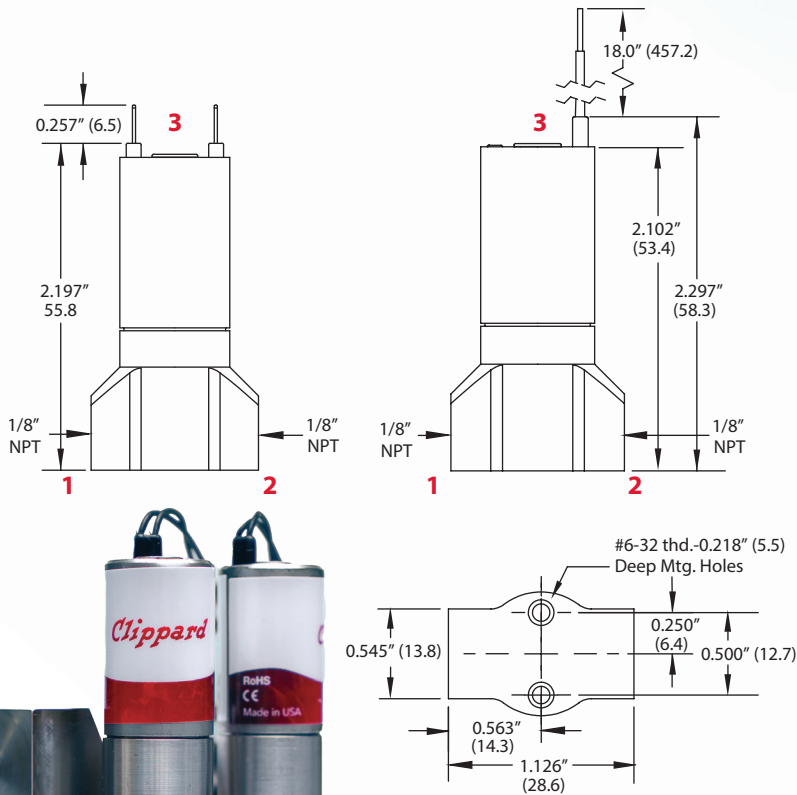
*Does your application have requirements beyond what is listed? Contact Clippard to discuss how this valve can be modified to meet your specific needs.*

**Spade Terminals  
In-Line Manifold**

**Wire Leads  
In-Line Manifold**

**Spade Terminals  
Cartridge Style**

**Wire Leads  
Manifold Mount**



Dimensions shown are in inches. Visit [clippard.com](http://clippard.com) for more detailed 2D and 3D drawings.

- Large flows in small, sleek package
- Low heat rise, low power
- Robust stainless steel "spider" armature spring

**ORDERING INFORMATION**

|   |  |   |   |  |   |   |
|---|--|---|---|--|---|---|
| <p><b>Units</b></p> <p>(blank) Imperial<br/>M- Metric</p> | <p><b>Connection</b></p> <p>T Spade Terminals<br/>V Wire Leads</p> | <p><b>Function</b></p> <p>2 2-way<br/>3 3-way</p> | <p><b>Mount</b></p> <p>(blank) In-Line<br/>M Manifold<br/>C Cartridge</p> | <p><b>Voltage</b></p> <p>12 12 VDC<br/>24 24 VDC</p> | <p><b>Pressure</b></p> <p>(blank) Vac. to 100 psig (7 bar)<br/>-L Vac. to 50 psig (3.4 bar), 2-way only</p> | <p><b>Seals</b></p> <p>(blank) Nitrile<br/>-V FKM<br/>-E EPDM</p> |
|---|--|---|---|--|---|---|

**Example Part Number:**  
DT-2-12

For more info, scan the QR code or visit [clippard.com/link/dv-series](http://clippard.com/link/dv-series)

